

# SIEMENS

IP Router secure / IP Interface secure  
IP-Router secure / IP-Schnittstelle secure  
Routeur IP sécurisé / Interface IP sécurisée  
Router IP estable / Interfaz IP estable  
IP Router secure / IP Interface secure  
Router-IP seguro / Interface-IP seguro  
Güvenli IP Dağıtıcı / Güvenli IP Arayüzü  
Безопасный IP-роутер / IP-интерфейс  
IP Router secure / IP Interface secure  
IP 路由器安全 / IP 接口安全



5WG1146-1AB03

5WG1148-1AB23



Operating Instructions Betriebsanleitung  
Instruções de Serviço İşletme kılavuzu

Notice d'utilisation  
Руководство по эксплуатации

Instructivo  
Bedieningshandleiding

Istruzioni operative

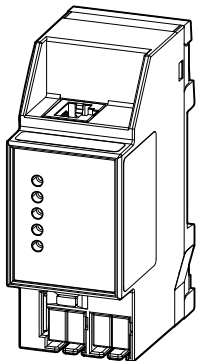
使用说明



## Contents / Lieferumfang / Etendue de la livraison / Contenido / 供货范围

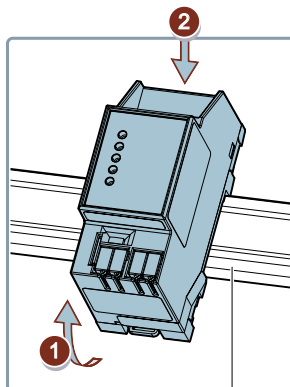


5WG1146-1AB03  
5WG1148-1AB23

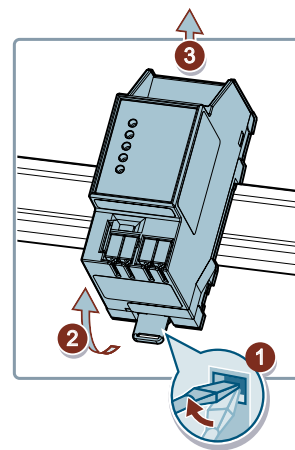
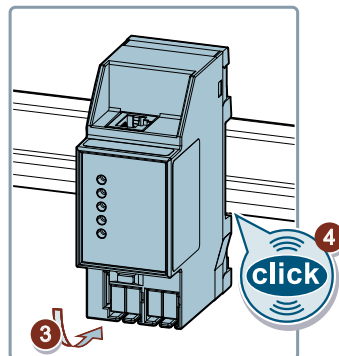


## Assembly / Montage / Montage / Montaje / 安装

## Removal / Demontage / Démontage / Desmontaje / 拆卸

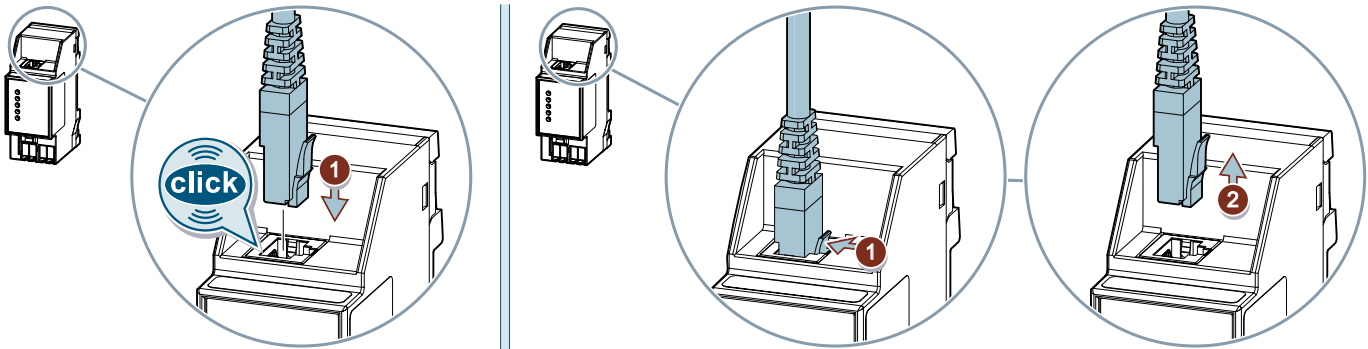


EN 60715-TH35

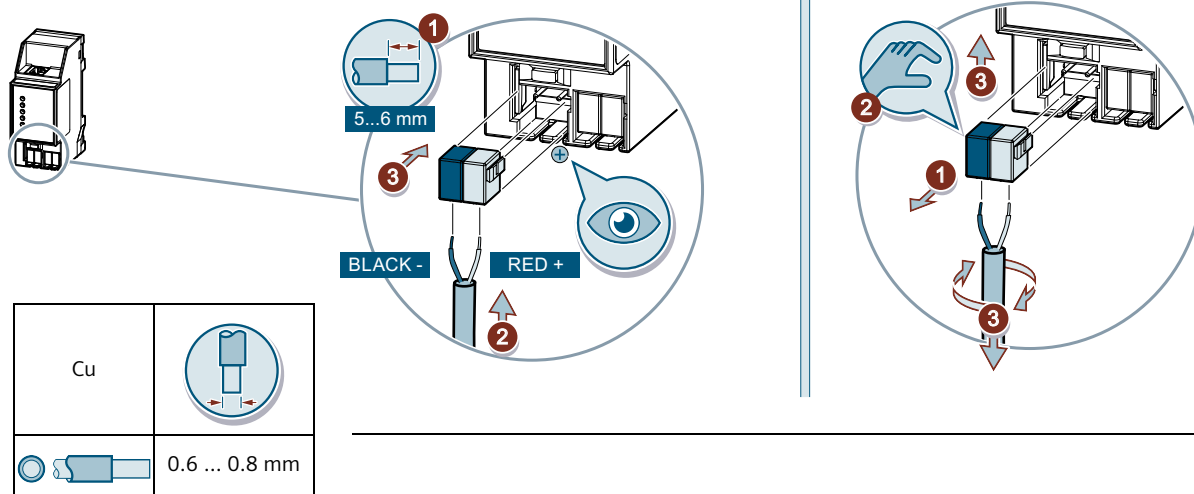




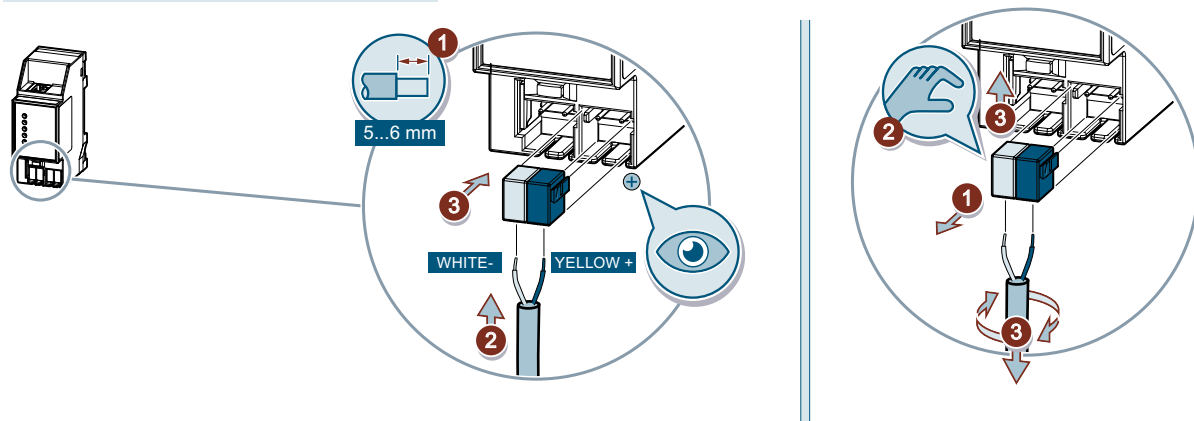
Ethernet RJ-45



KNX 24VDC typ. SELV

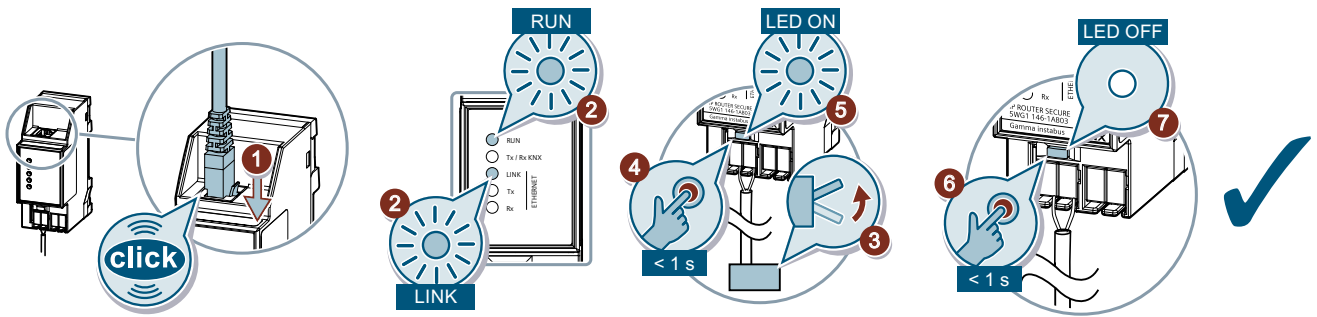


Power Supply AC 16...24V, DC 16...30V

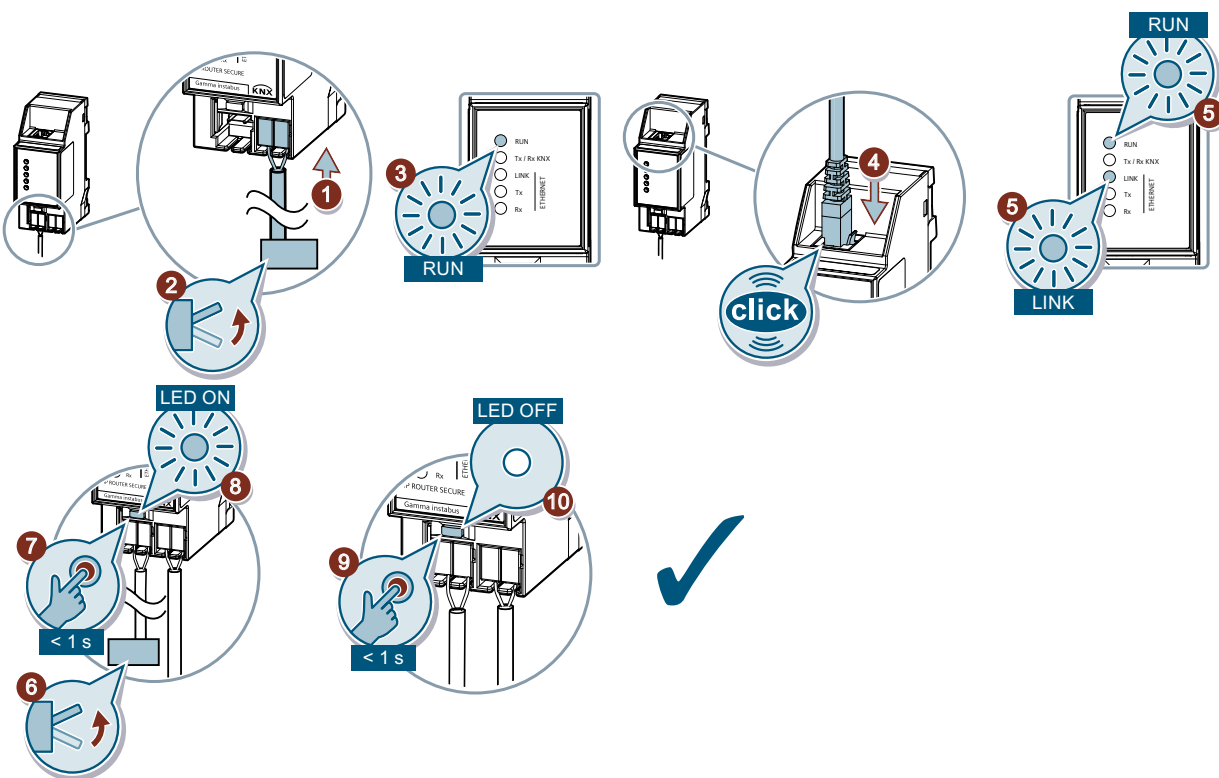


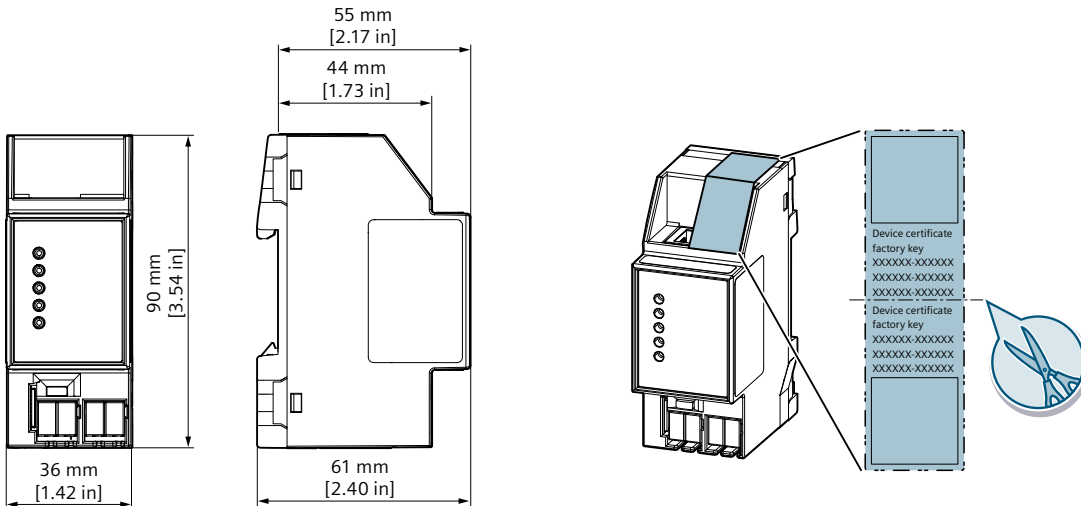


Power over Ethernet (PoE) / Ethernet RJ-45



Power Supply





Technical Documentation:  
<http://www.siemens.com/gamma-td>



Technical Support  
<http://www.siemens.com/supportrequest>



FAQ:  
<https://support.industry.siemens.com/cs/ww/en/ps/faq>



Open Source Software (OSS)  
<https://siemens.com/download?A6V14074519>

#### Electromagnetic compatibility

USA: This device complies with part 15 of the FCC Rules. Operation is subject to the following two conditions:

- (1) This device may not cause harmful interference, and
- (2) this device must accept any interference received, including interference that may cause undesired operation.

This equipment has been tested and found to comply with the limits for a Class B digital device, pursuant to part 15 of the FCC Rules. These limits are designed to provide reasonable protection against harmful interference in a residential installation. This equipment generates, uses and can radiate radio frequency energy and, if not installed and used in accordance with the instructions, may cause harmful interference to radio communications. However, there is no guarantee that interference will not occur in a particular installation. If this equipment does cause harmful interference to radio or television reception, which can be determined by turning the equipment off and on, the user is encouraged to try to correct the interference by one or more of the following measures:

- Reorient or relocate the receiving antenna.
- Increase the separation between the equipment and receiver.
- Connect the equipment into an outlet on a circuit different from that to which the receiver is connected.
- Consult the dealer or an experienced radio/TV technician for help

Canada: CAN ICES-3(B)/NMB-3(B)

